

# SSPEXBV SERIES 304 STAINLESS STEEL BALL VALVE (Crimp PEX)



## SPECIFICATION:

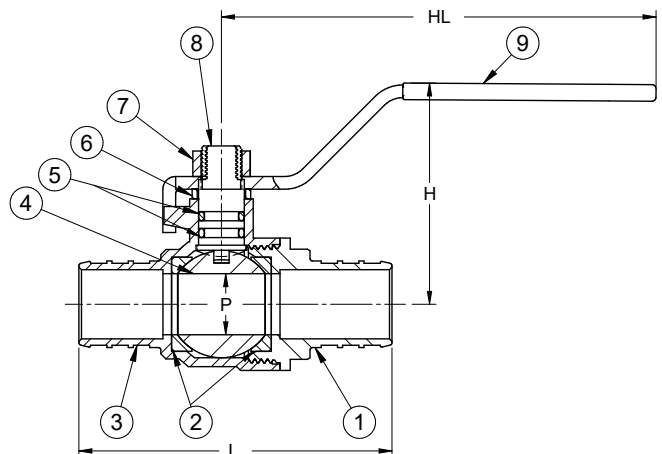
- For use with ASTM F2769, ASTM F2623, (PE-RT) SDR9 pipe
- For use with ASTM F876 PEX pipe
- Crimp PEX ends conform to ASTM F1807
- Max Pressure Rating: 600 PSI CWP
- CWP - Cold Working Pressure, is an indication of the pressure rating for valves at a temperature range of up to +100°F (37°C)
- Max Temperature Rating: -40°F to 200°F (-40°C to 93°C)
- Two piece investment cast body
- Blow-out proof stem
- Solid Stainless Steel Ball
- Stainless steel handle with blue plastic sleeve

## CERTIFICATION:

- cUPC Listed
- NSF/ANSI 61 & 372 Certified



MATERIAL LIST		
Part No.	Part Name	Material
1	End Cap	304 Stainless Steel
2	Seat	PTFE (polytetrafluoroethylene)
3	Valve Body	304 Stainless Steel
4	Ball	304 Stainless Steel
5	Stem O-ring	NBR-Nitrile Rubber
6	Spring Washer	PTFE (polytetrafluoroethylene)
7	Nut	304 Stainless Steel
8	Stem	304 Stainless Steel
9	Handle	304 Stainless Steel



DIMENSIONS											
Part No.	Size	L		H		HL		P		Weight	
		inches	mm	inches	mm	inches	mm	inches	mm	lbs	grams
SSPEXBV-05	1/2"	2.43	61.72	1.50	38.10	3.25	82.55	0.354	9.00	0.207	94
SSPEXBV-07	3/4"	2.42	61.47	1.60	40.64	3.25	82.55	0.472	12.00	0.269	122
SSPEXBV-10	1"	3.00	76.20	2.05	52.07	4.15	105.41	0.669	17.00	0.489	222

**BOSHART**  
INDUSTRIES

25 Whaley Avenue, PO Box 310, Milverton, ON CANADA N0K 1M0  
Tel: 800-561-3164

[boshart.com](http://boshart.com) ♦ [blog.boshart.com](http://blog.boshart.com)